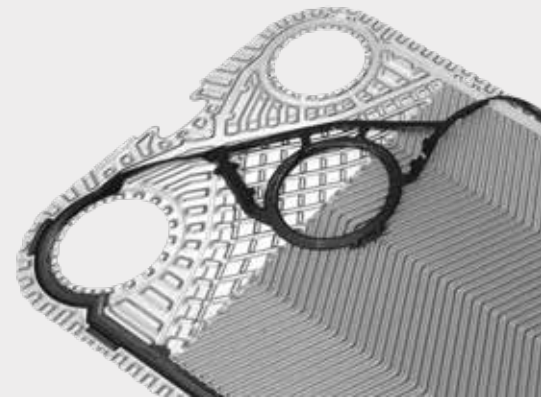
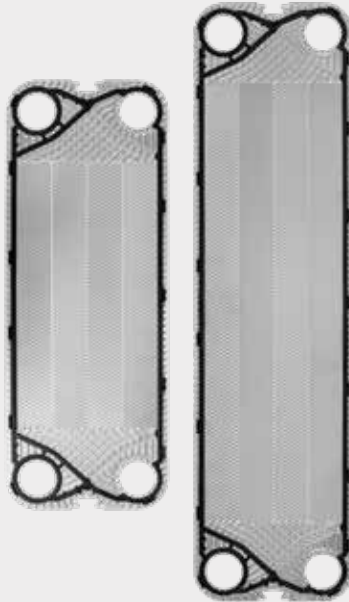


Plate Heat Exchanger AF60 Series

AF62 & AF63



ZILONIS Energy Solutions offers a wide range of AHRI-certified® products, including the AF60 series. The series is certified in the category of "AHRI Liquid to Liquid Heat Exchangers," which confirms the thermal performance according to the specified specifications. With the AF60 series, ZILONIS offers a reliable and efficient single-pass solution that is suitable for many different applications. This is a cost-effective solution that ensures optimal heat transfer and minimal maintenance.

Typical applications:

- General cooling/heating
- HVAC
- Refrigeration
- Industrial
- Marine
- Food & beverages
- Chemicals
- Mining
- Electronics

- Lock gasket system
- Gentle product handling
- Design pressure up to 25 bar
- Operating temperature up to 180° C
- Leak chamber
- Fixed bolt head
- Lifting lug
- Lining
- Lock washer

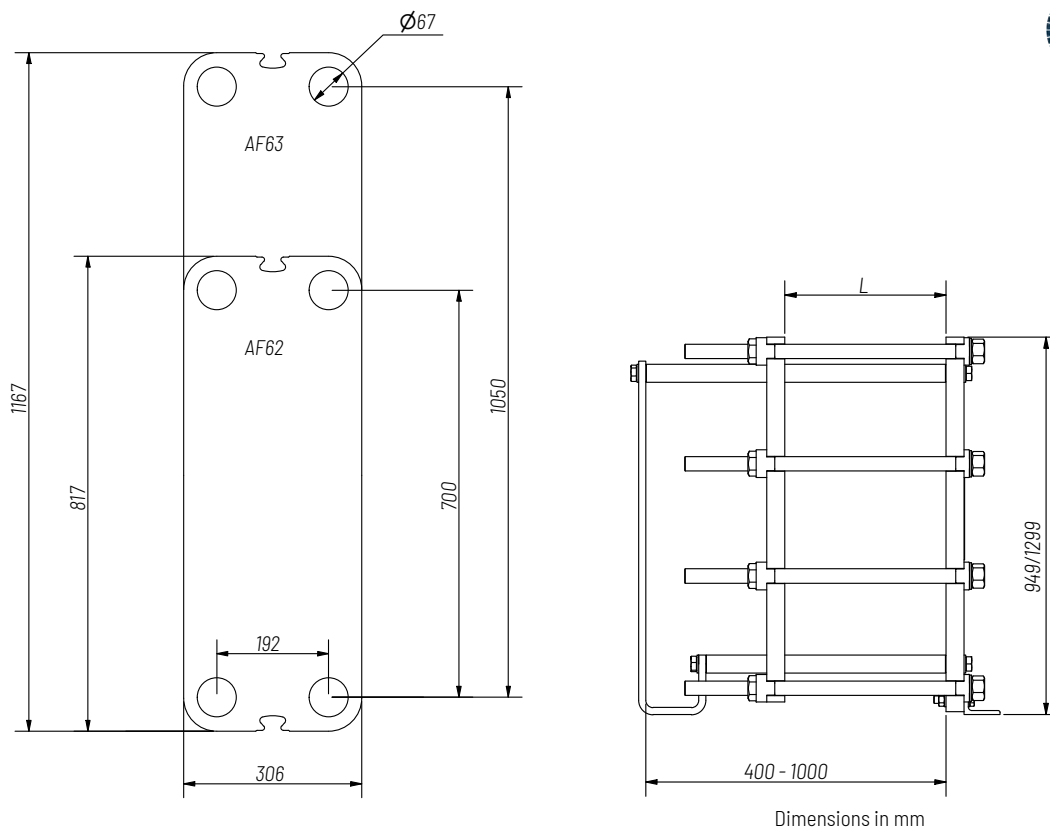
Features:

Every detail is carefully designed to ensure optimal performance, reduced maintenance costs and decreased downtime:

- Compact design
- High flexibility

Benefits:

- Lower operating costs
- Cost-effective
- Easy assembly
- Increased energy efficiency
- Easy cleaning
- Dead spots, that cause corrosion and fouling are eliminated



Design pressure:

- Painted frames: 1.0/1.6/2.5 MPa (145/232/362 PSI)

Construction standards:

- EN13445
- ASME sec VIII, Div. 1

Frame:

- Painted frame, RAL 5010 (available in other colours)
- Rustfrit stål stativ

Connections:

- DN 65/2.5" flange in carbon steel, rubber lined or clad with AISI 316 or titanium
- According to all known standards

Plate material:

- AISI 304/316 and titanium
- Other materials available on request

Gaskets:

- Click on gasket – a glue less system for sealing
- Materials: NBR, EPDM and Viton
- Other materials available on request

Accessories:

- Drip tray
- Insulation jackets
- Safety cover
- Assembling spanner



AHRI Certified® is the trusted mark of performance for heating, air conditioning, water heating, and commercial refrigeration equipment.

To find AHRI Certified products, go to www.ahridirectory.org.

Certificerede products in the AF60 Series

number	AHRI Certified Reference Number
AF62PS10	207614982
AF62PS16	207614983
AF62PS25	207614984
AF63PS10	207614985
AF63PS16	207614986
AF63PS25	207614987

06.2023

ZILONIS Energy Solutions GmbH reserves the rights to change the specifications without prior notification.