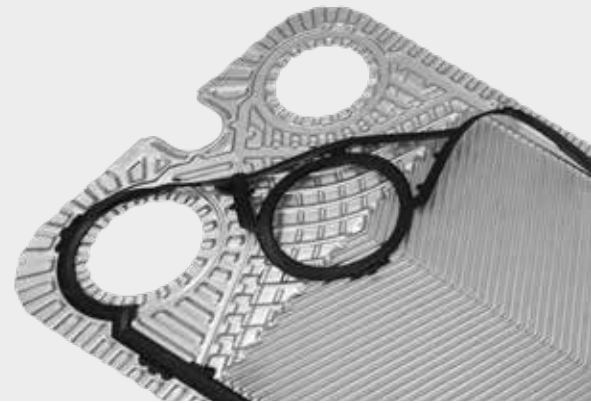


Plate Heat Exchanger SF50 Series

SF51 & SF51D



ZILONIS Energy Solutions offers a wide range of Plate Heat Exchangers and is the ideal choice suitable for a wide variety of applications across numerous markets segments.

ZILONIS Plate Heat Exchanger SF51, available in two pressing depths, will cover many duties in a single pass solution.

Typical applications:

- HVAC
- Geothermal
- Marine
- Food
- Industrial & chemical market
- Mining

- Design pressure up to 25 bar
- Operating temperature: up to 180° C
- Leak chamber
- Fixed bolt head
- Lifting lug
- Lining
- Lock washer

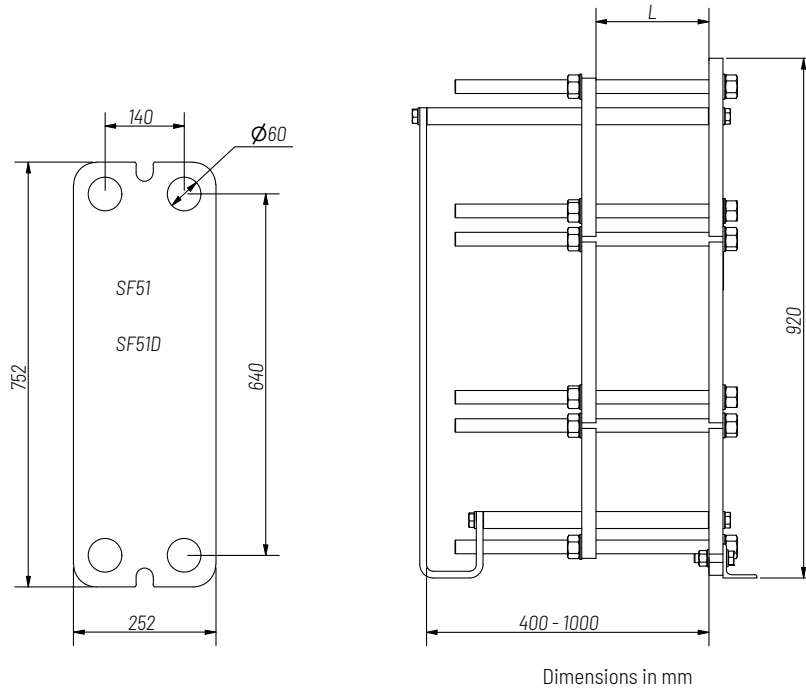
Features:

Every detail is carefully designed to ensure optimal performance, reduced maintenance costs and decreased downtime:

- Compact design
- High flexibility
- Lock gasket system
- Gentle product handling

Benefits:

- Lower operating costs
- Cost-effective
- Easy assembly
- Increased energy efficiency
- Easy cleaning
- Dead spots, that cause corrosion and fouling are eliminated



Design pressure:

- Painted frames: 1.6/2.5 MPa (232/362 PSI)

Construction standards:

- EN13445
- ASME sec VIII, Div. 1

Frame:

- Painted frame, RAL 5010 (available in other colours)
- Stainless steel frame

Connections:

- DN 50/2" flange in carbon steel, rubber lined or clad with AISI 316 or titanium
- DN 50/2" dairy pipes or unions
- 2" threaded pipe, BSP/NPT, Stainless steel or titanium
- According to all known standards

Plate material:

- AISI 304/316 and titanium
- Other materials available on request

Gaskets:

- Click on gasket – a glue less system for sealing
- Materials: NBR, EPDM and Viton
- Other materials available on request

Accessories:

- Drip tray
- Insulation jackets
- Safety cover
- Assembling spanner
- Foundation feet