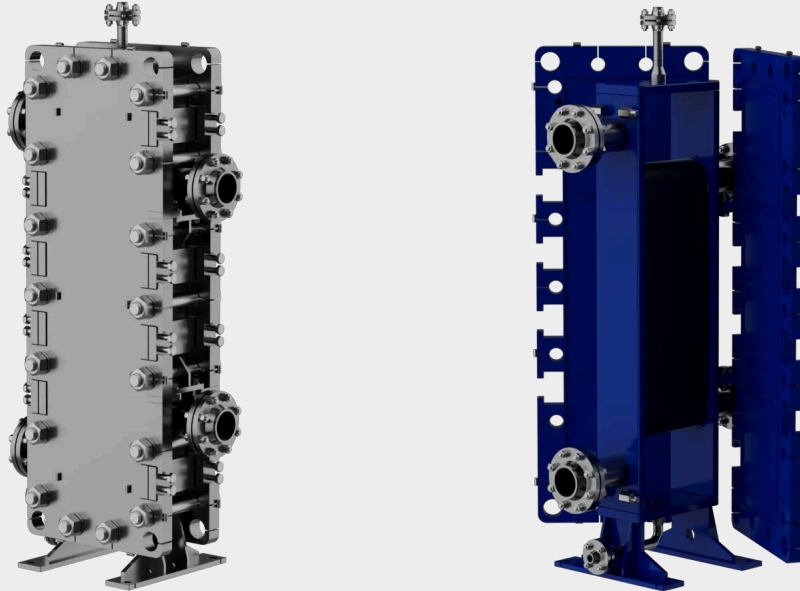


# ZILONIS Power Plate – Maintainable

## ZPP-M



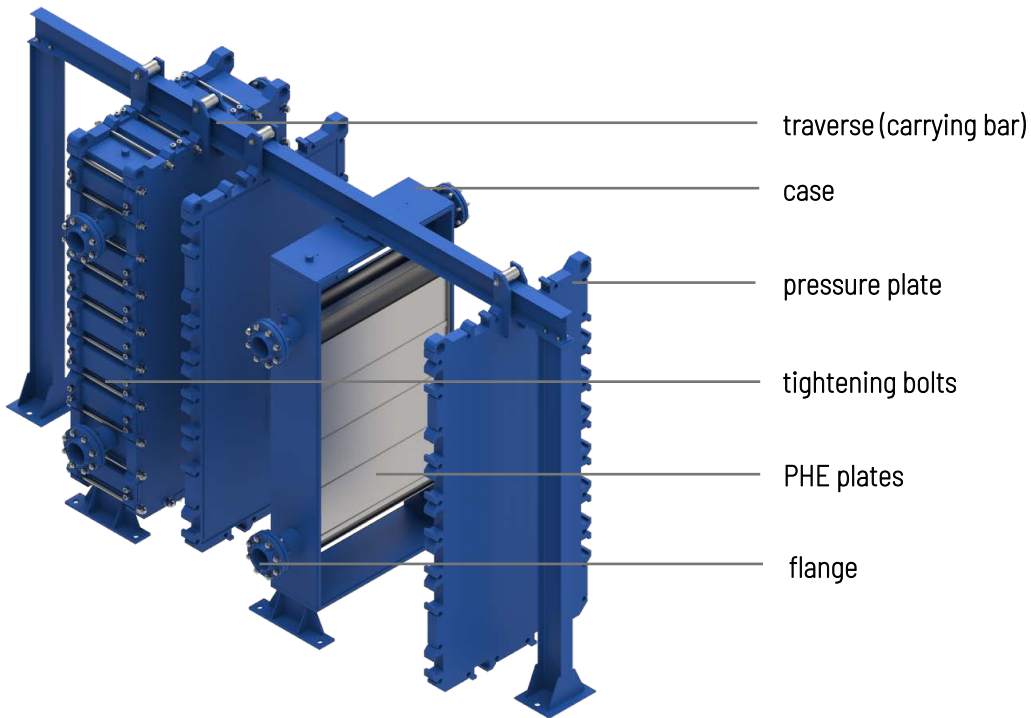
Our ZILONIS Power Plate Maintainable product series, ZPP-M for short, opens up a wide range of applications in various industries. Thanks to their robust design, the products can be operated at very high temperatures (up to 650 °C) and pressures (up to 100 bar). The ZPP-M series offers numerous advantages: it is easy to open, clean, and close, which is made possible by the innovative housing design. This means that the heat exchanger can be easily cleaned using high pressure. Another advantage is the low maintenance costs, as there are no gaskets between the plates—the plates are welded along the circumference. This makes the ZPP-M series particularly suitable for cleaning-intensive processes. The series is also characterized by its compact design, which facilitates integration into various systems and applications.

### Function:

- Cooling
- Recuperation
- Evaporation
- Condensation
- Reboiler
- Utilizer
- Economizer

### Advantages:

- High reliability unit
- Absence of rubber gaskets
- Operation in aggressive and hazardous environments
- Ability to vary length and width of PHE plate
- High durability
- Compensation of temperature expansions
- Easy maintenance and cleaning



### temperature range:

- -100...+650 °C

### plate surface area:

- 0,033 - 2,5 m<sup>2</sup>

### maximum working pressure:

- 100 bar

### plate number:

- Up to 1800 pcs

### heating area:

- 0,2 to 3000 m<sup>2</sup>

### plate thickness:

- 1 - 1,5 mm

### maximum flow rate:

- 10000 m<sup>3</sup>/h

### plate materials:

- AISI 316Ti
- AISI 316L
- Hastelloy C-276
- SMO 254
- Titanium

### DN connections:

- 10 - 1000 mm