

ZILONIS Power Plate - Welded

ZPP-W



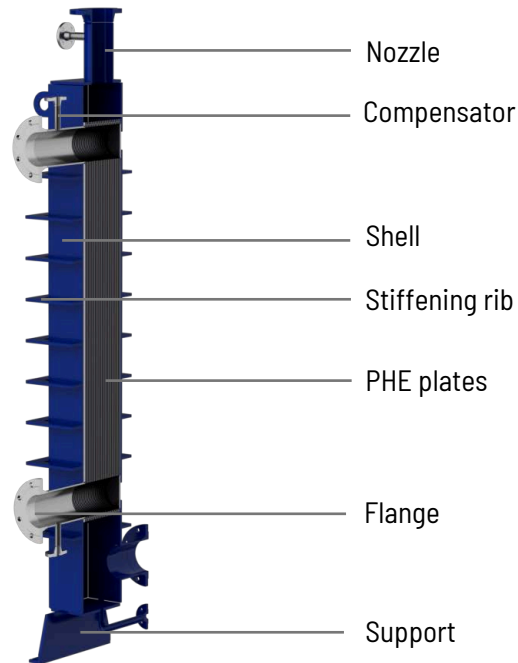
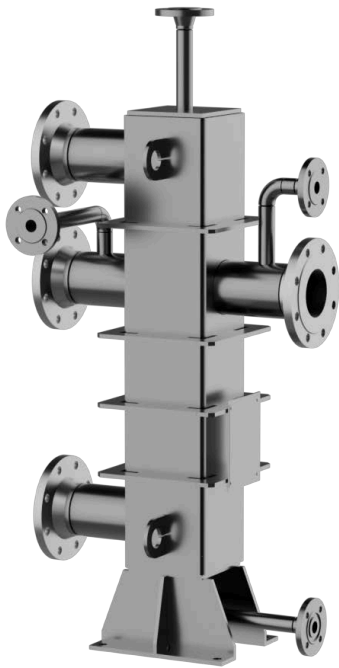
The fully welded plate heat exchangers ZILONIS Power Plate Welded, ZPP-W for short, open up a wide range of applications in various industries. Thanks to their robust, fully welded construction, they can be operated at very high temperatures (up to 650 °C) and pressures (up to 120 bar). An outstanding advantage is the design without rubber seals - the plates are fully welded along the circumference. This design makes the ZPP-W series particularly suitable for processes where a lot of power is required in a compact installation space. The innovative housing design ensures that no working fluids are released into the environment, making our heat exchangers ideal for use with corrosive, explosive, highly flammable or toxic substances.

Function:

- Cooling
- Recuperation
- Evaporation
- Condensation
- Reboiler
- Utilizer
- Economizer

Advantages:

- High reliability unit
- Absence of rubber gaskets
- Operation in aggressive and hazardous environments
- Ability to vary length and width of PHE plate
- High durability
- Compensation of temperature expansions



temperature range:

- -100...+650 °C

plate surface area:

- 0,033 - 2,5 m²

maximum working pressure:

- 120 bar

plate number:

- Up to 1800 pcs

heating area:

- 0,1 to 3000 m²

plate thickness:

- 1 - 1,5 mm

maximum flow rate:

- 10000 m³/h

plate materials:

- AISI 316Ti
- AISI 316L
- Hastelloy C-276
- SMO 254
- Titanium

DN connections:

- 10 - 1000 mm